

# Technical data sheet

Locknut, metric thread, light grey

Item number: 2048914



Locknut DIN 46319, with metric thread IEC 423.



**PA** Polyamide

## Master data

Item number	2048914
Type	116 M16 LGR PA
Description 1	Locknut
Manufacturer	OBO
Dimension	M16
Colour	Light grey; RAL 7035
Material	Polyamide
Smallest sales unit	100
Unit of quantity	Piece
Weight	0.16 kg
Weight unit	kg/100 pc.

# Technical data sheet

Locknut, metric thread, light grey

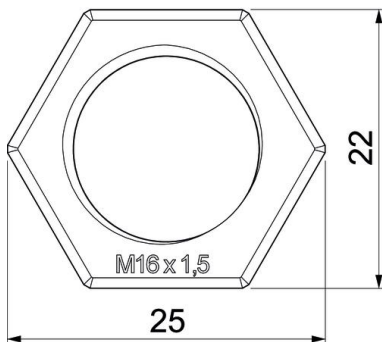
Item number: 2048914



## Dimensions



Dimension E	25 mm
Dimension L	5 mm



## Technical data

Thread	M16_x_1,5
Thread type	Metric
Nominal thread size metric/PG	16
Fibre-glass reinforced	no
Halogen-free	yes
Impact-resistant	no
WAF	22