

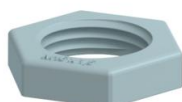
Technical data sheet

Locknut, metric thread, silver grey

Item number: 2048760



Locknut to DIN 46319, with metric thread IEC 423.



PA Polyamide

Master data

Item number	2048760
Type	116 M16 SGR PA
Description 1	Locknut
Manufacturer	OBO
Dimension	M16
Colour	Silver grey; RAL 7001
Material	Polyamide
Smallest sales unit	100
Unit of quantity	Piece
Weight	0.125 kg
Weight unit	kg/100 pc.

Technical data sheet

Locknut, metric thread, silver grey

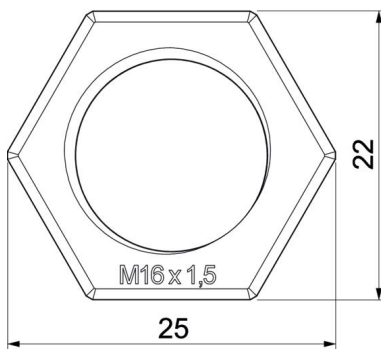
Item number: 2048760



Dimensions



Dimension E	25 mm
Dimension L	5 mm



Technical data

Thread	M16_x_1,5
Thread type	Metric
Nominal thread size metric/PG	16
Fibre-glass reinforced	no
Halogen-free	yes
Impact-resistant	no
WAF	22