

Technical data sheet

Locknut, PG thread

Item number: 2091291



Locknuts, part M to DIN 46320 with Pg thread to DIN 40430. * Price according to DEL notation.



CuZn
37 Brass

N Nickel-plated

Master data

Item number	2091291
Type	169 MS PG29
Description 1	Locknut
Manufacturer	OBO
Dimension	PG29
Material	Brass
Surface	Nickel-plated
Surface standard	
Smallest sales unit	100
Unit of quantity	Piece
Weight	1.32 kg
Weight unit	kg/100 pc.

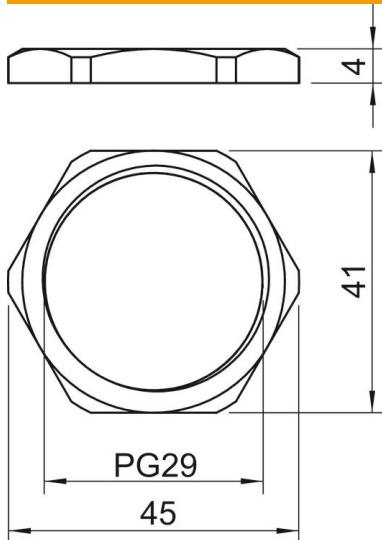
Technical data sheet

Locknut, PG thread

Item number: 2091291



Dimensions



Dimension E	45 mm
Dimension L	4 mm

Technical data

Thread	Pg_29
Thread type	PG
Nominal thread size metric/PG	29
Fibre-glass reinforced	no
Halogen-free	no
Impact-resistant	no
WAF	41