

# Technical data sheet

## Clamp clip, single, plastic pressure trough, FT

Item number: 1160702



Suitable for all C profile rails with slot width 16–17 mm.  
Hot-dip galvanized steel clip and bolt, polypropylene pressure trough, halogen-free, colour light grey RAL 7035.  
Version with welding and/or locknuts for use under difficult circumstances and for shake protection on request.



**St** Steel

**FT** Hot-dip galvanized

### Master data

|                     |                    |
|---------------------|--------------------|
| Item number         | 1160702            |
| Description 1       | Clamp clip         |
| Manufacturer        | OBO                |
| Dimension           | 64-70mm            |
| Material            | Steel              |
| Surface             | Hot-dip galvanized |
| Surface standard    | DIN EN ISO 1461    |
| Smallest sales unit | 50                 |
| Unit of quantity    | Piece              |
| Weight              | 18.2 kg            |
| Weight unit         | kg/100 pc.         |

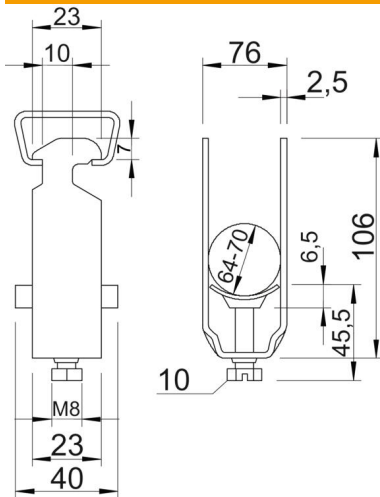
# Technical data sheet

## Clamp clip, single, plastic pressure trough, FT



Item number: 1160702

### Dimensions



|                  |         |
|------------------|---------|
| Dimension A      | 23 mm   |
| Dimension B      | 76 mm   |
| Dimension C      | 40 mm   |
| Dimension G (mm) | M8      |
| Dimension H      | 106 mm  |
| Dimension L      | 45.5 mm |
| Dimension t      | 2.5 mm  |
| Dimension x      | 6.5 mm  |

### Technical data

|  |                |
|--|----------------|
| Number of cables/pipes                         | 1              |
| for rail with slot width (with interval), max. | 17 mm          |
| for rail with slot width (with interval), min. | 16 mm          |
| Halogen-free                                   | yes            |
| Max. Tightening torque                         | 5 Nm           |
| With plastic trough                            | yes            |
| With metal trough                              | no             |
| Mounting type                                  | Profile rail   |
| Impact-resistant                               | no             |
| Clamping range D, max.                         | 70 mm          |
| Clamping range D, min.                         | 64 mm          |
| Surface addition                               | hot galvanised |
| Material addition                              | Steel          |
| With counter-trough                            | no             |
| Material of trough                             | Plastic        |
| Material quality of trough                     | Polypropylene  |