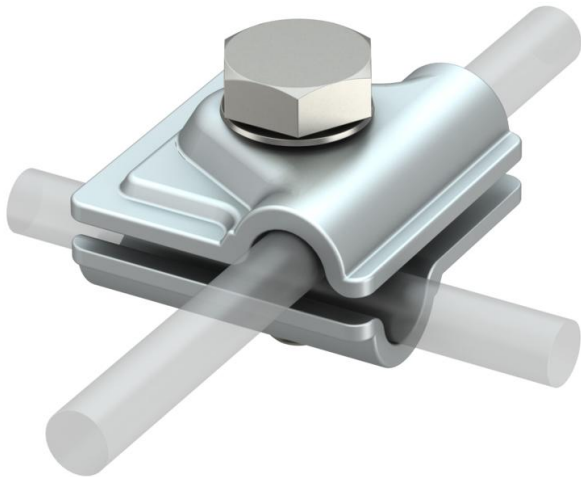


ALU

: 5311519



- T
- M10 x 30
- VDE 0185-305 (IEC 62305)

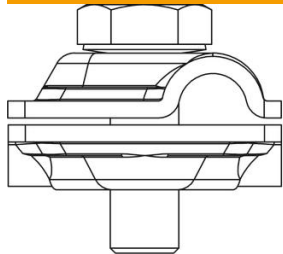


Alu

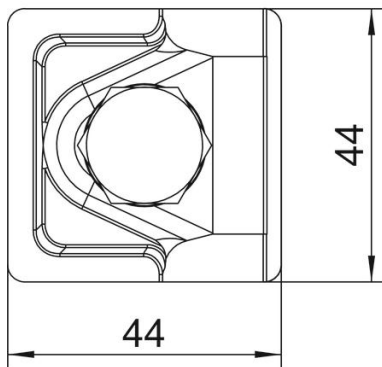
	5311519
	249 8-10 ALU
1	
2	
	OBO
	44x44mm
	30
	6.6 kg
	kg/100

ALU

: 5311519



A 44 mm



	H/100 kA
	Rd 8-10 / Rd 8-10
	Rd 8-10 mm
1	10 mm
1	8 mm
2	10 mm
2	8 mm