

# Technical data sheet

## Screw-in spacer clip, universal

Item number: 1383310



With M6 thread.



**St** Steel

**G** Electrogalvanized

### Master data

Item number	1383310
Type	2900 M6 33-38 G
Description 1	Distance saddle
Description 2	with threaded connection M6
Manufacturer	OBO
Dimension	33-38mm
Material	Steel
Surface	Electrogalvanized
Surface standard	EN ISO 19598 / EN ISO 4042
Smallest sales unit	25
Unit of quantity	Piece
Weight	5.83 kg
Weight unit	kg/100 pc.

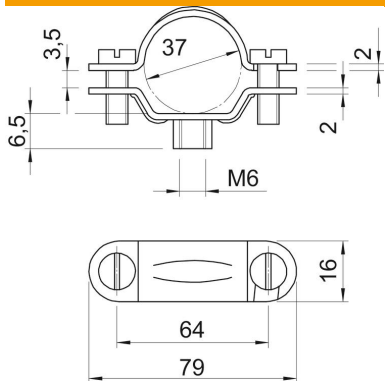
# Technical data sheet

## Screw-in spacer clip, universal

Item number: 1383310



### Dimensions



Length	79 mm
Width	16 mm
Dimension A	79 mm
Dimension B	64 mm
Dimension b	16 mm
Dimension D	37 mm
Dimension H	6.5 mm
Dimension t1 (mm)	2
Dimension t2 (mm)	2
Dimension x	3.5 mm

### Technical data

Version for	Closed
Fastening type	Screw hole
Size	Pg 29
Halogen-free	no
Plastic-covered	no
Hole size	M6 mm
Material thickness	2 mm
Bolt	M5 x 14
Clamping range D, max.	38 mm
Clamping range D, min.	33 mm
UV-resistant	yes