

Technical data sheet

Base clamp clip, single

Item number: 2140233



Can be screwed onto M6 thread.



PP Polypropylene

Master data

Item number	2140233
Type	2962 22 LGR
Description 1	Base clamp
Manufacturer	OBO
Dimension	19-22mm
Colour	Light grey; RAL 7035
Material	Polypropylene
Smallest sales unit	50
Unit of quantity	Piece
Weight	0.514 kg
Weight unit	kg/100 pc.

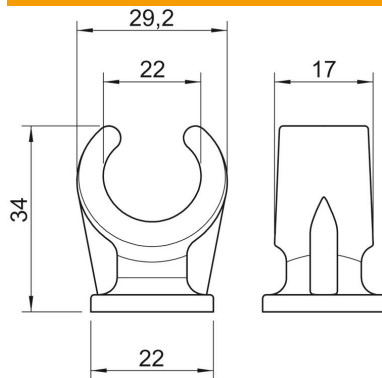
Technical data sheet

Base clamp clip, single

Item number: 2140233



Dimensions



Dimension A	29.2 mm
Dimension B	17 mm
Dimension C	22 mm
Dimension H	34 mm

Technical data

Number of cables/pipes	1
Version for	Single-lobe
Fastening type	Threaded connection
Suitable in fire protection area	no
Size	19-22
Halogen-free	yes
Plastic-covered	no
Nominal diameter	18.8 mm
Clamping range D, max.	22 mm
Clamping range D, min.	19 mm
UV-resistant	no