

Technical data sheet

Cable and pipe spacer clip 733 FT

Item number: 1361115



* Size M16 is not suitable for nail device.
* Sizes M16 to PG16 not suitable for bolt-firing tool.



St Steel

FT Hot-dip galvanised

Master data

Item number	1361115
Type	733 61 FT
Description 1	Distance saddle
Description 2	with slot
Manufacturer	OBO
Dimension	53-61mm
Material	Steel
Surface	Hot-dip galvanised
Surface standard	DIN EN ISO 1461
Smallest sales unit	20
Unit of quantity	Piece
Weight	6.1 kg
Weight unit	kg/100 pc.

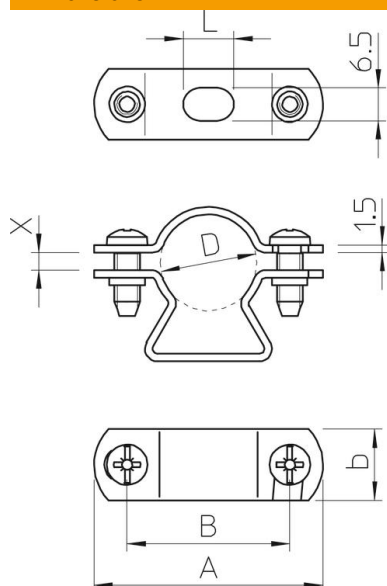
Technical data sheet

Cable and pipe spacer clip 733 FT

Item number: 1361115



Dimensions



Length	96 mm
Width	18 mm
Dimension A	96 mm
Dimension B	78 mm
Dimension b	18 mm
Dimension L	14 mm
Dimension x	10 mm

Technical data

Distance to the wall	yes
Number of cables/pipes	1
Version for	Closed
Fastening type	Screw hole
Suitable in fire protection area	yes
Size	Pg48
Halogen-free	yes
Plastic-covered	no
Hole size	6,5 x 14 mm
Material thickness	1.5 mm
Bolt	M5 x 18
Clamping range D, max.	61 mm
Clamping range D, min.	53 mm
UV-resistant	yes