

Technical data sheet

Connection terminal, single

Item number: 6049278



Simple connection terminal to accept 1 conductor cable, to create the protective equipotential bonding for cable support systems. Mounting on conductor cable, central in clamp spring.



 Brass

Master data

Item number	6049278
Type	AKL 35 E
Description 1	Connection terminal
Description 2	for conductor cable, single
Manufacturer	OBO
Dimension	35mm ²
Material	Brass
Smallest sales unit	10
Unit of quantity	Piece
Weight	5.99 kg
Weight unit	kg/100 pc.

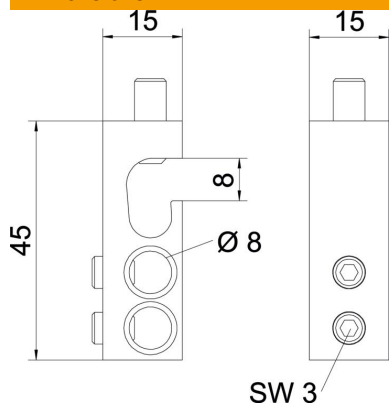
Technical data sheet

Connection terminal, single

Item number: 6049278



Dimensions



Length	15 mm
Width	15 mm
Height	45 mm
Dimension B	8 mm
Dimension D	8 mm
Dimension H	45 mm

Technical data

Suitable for	Round conductor
Cross-section	35 mm ²