

Technical data sheet

Connection terminal, double

Item number: 6049279



Double connection terminal to accept 2 conductor cables, to create the protective equipotential bonding for cable support systems. Can be used as a junction for branches and intersections. Mounting on conductor cable, central in clamp spring.



 Brass

Master data

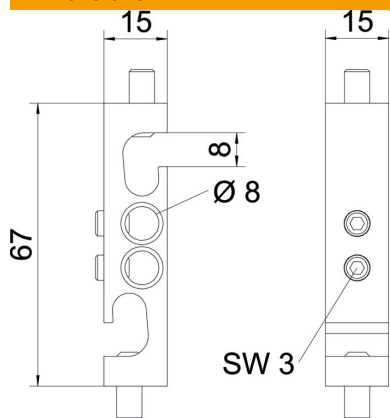
Item number	6049279
Type	AKL 35 Z
Description 1	Connection terminal
Description 2	for conductor cable, double
Manufacturer	OBO
Dimension	35mm ²
Material	Brass
Smallest sales unit	10
Unit of quantity	Piece
Weight	8.779 kg
Weight unit	kg/100 pc.

Technical data sheet

Connection terminal, double

Item number: 6049279

Dimensions



Length	15 mm
Width	15 mm
Height	67 mm
Dimension B	8 mm
Dimension D	8 mm
Dimension H	67 mm

Technical data

Suitable for	Round conductor
Cross-section	35 mm ²