

# Technical data sheet

## Anchor rail AML3518, slot 16.5 mm, FT, perforated

Item number: 1119693



Central C profile rail for cable routing, in conjunction with clamp clips with a hammerhead foot. Can also be used as suspension construction for cable support systems.



- St** Steel
- FT** Hot-dip galvanised

### Master data

Item number	1119693
Type	AML3518P0300FT
Description 1	Profile rail
Description 2	perforated, slot 16.5mm
Manufacturer	OBO
Dimension	300x35x18
Material	Steel
Surface	Hot-dip galvanised
Surface standard	DIN EN ISO 1461
Smallest sales unit	25
Unit of quantity	Piece
Weight	26.3 kg
Weight unit	kg/100 pc.

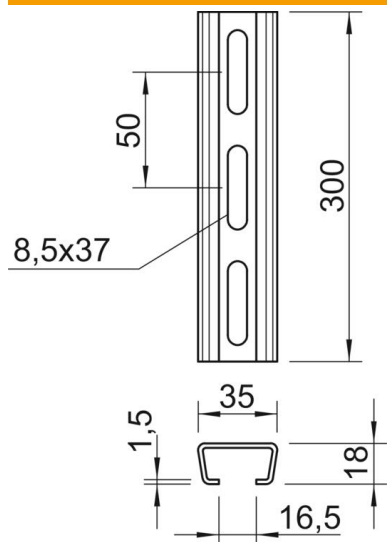
# Technical data sheet

Anchor rail AML3518, slot 16.5 mm, FT, perforated

Item number: 1119693



## Dimensions



Length	300 mm
Width	35 mm
Height	18 mm
Dimension L	300 mm

## Technical data

Breakable	no
Type of perforation	Perforated back
Version for	Single profile
Drill hole spacing, centre	50 mm
Bundle	25 m
Maintain electrical functions	no
Material thickness	1.5 mm
With perforation	yes
With tothing	no
Profile shape	C profile
Slot width	16.5 mm
Static value A	1.01 cm <sup>2</sup>
Static value I <sub>y</sub>	0.44 cm
Static value I <sub>z</sub>	1.84 cm
Static value W <sub>y</sub>	0.42 cm <sup>2</sup>
Static value W <sub>z</sub>	1.05 cm <sup>2</sup>