

# Technical data sheet

## Beam clamp, for threaded rod

Item number: 1483661



Beam clamp for knocking in with threaded rod seat as individual fastening solution on the beam.

CE

- St Steel
- ZL Zinc slat

### Master data

|                     |                      |
|---------------------|----------------------|
| Item number         | 1483661              |
| Type                | BCTR 4-8 M6          |
| Description 1       | Beam clamp           |
| Description 2       | with threaded rod M6 |
| Manufacturer        | OBO                  |
| Dimension           | 4-8mm                |
| Material            | Steel                |
| Surface             | Zinc slat            |
| Surface standard    |                      |
| Smallest sales unit | 50                   |
| Unit of quantity    | Piece                |
| Weight              | 3.1 kg               |
| Weight unit         | kg/100 pc.           |

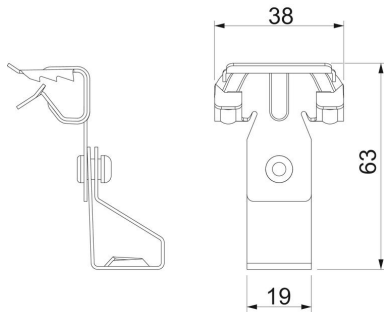
# Technical data sheet

## Beam clamp, for threaded rod

Item number: 1483661



### Dimensions



|             |       |
|-------------|-------|
| Dimension B | 38 mm |
| Dimension L | 63 mm |

### Technical data

|                           |        |
|---------------------------|--------|
| Connection type/component | Thread |
| Fastening type            | Clamp  |
| Flange thickness F max.   | 8 mm   |
| Flange thickness F min.   | 4 mm   |
| Thread                    | M6     |
| Thread metric             | 6      |
| Hinge, adjustable         | no     |
| Hinged                    | no     |