

# Technical data sheet

Cover for 90° vertical bend 110, falling, FS

Item number: 7131038



Cover for falling vertical bends of side height 110 mm.  
The fastening is guaranteed by the overlap of the cable tray covers. The cover can also be fastened using cover clamps.



**St** Steel

**FS** Strip galvanized

## Master data

Item number	7131038
Description 1	Cover for 90° vertical bend
Description 2	falling
Manufacturer	OBO
Dimension	B300mm
Material	Steel
Surface	Strip galvanized
Surface standard	DIN EN 10346
Smallest sales unit	1
Unit of quantity	Piece
Weight	83.4 kg
Weight unit	kg/100 pc.

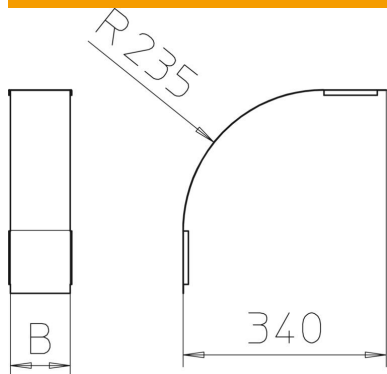
# Technical data sheet

Cover for 90° vertical bend 110, falling, FS

Item number: 7131038



## Dimensions



Width	300 mm
Width	12 in
Height	110 mm
Plate thickness	0.03 in
Plate thickness	0.75 mm
Dimension B	300 mm

## Technical data

Bend (angle)	90°
Fastening type	Sash lock
Maintain electrical functions	no
Suitable for mesh cable tray	no
Suitable for cable ladder	no
Suitable for cable tray	yes
Change of direction	Vertical, falling
Rustproof steel, pickled	no
Hinged	no