

Technical data sheet

Cover plate for mounting box GB2, Modul 45® installation opening

Item number: 7407312



Mounting box cover plate with rectangular opening for a triple Modul 45 socket.
L = 165 mm.



PA Polyamide

Master data

Item number	7407312
Type	GB2 P3
Description 1	Cover plate
Description 2	triple Modul 45
Manufacturer	OBO
Dimension	165x76mm
Colour	Graphite black; RAL 9011
Material	Polyamide
Smallest sales unit	10
Unit of quantity	Piece
Weight	2.13 kg
Weight unit	kg/100 pc.

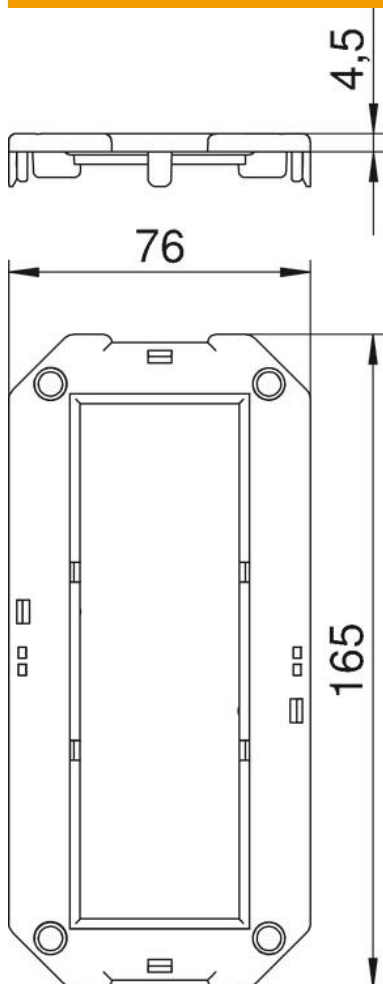
Technical data sheet

Cover plate for mounting box GB2, Modul 45® installation opening

Item number: 7407312



Dimensions



Length 165 mm

Technical data

Number of installable devices	3
Fastening type	Lockable
Labelling panel	no
Suitable for screed-flush closed underfloor ducts	yes
Device type	Grid 45
Strain relief option	yes