

Technical data sheet

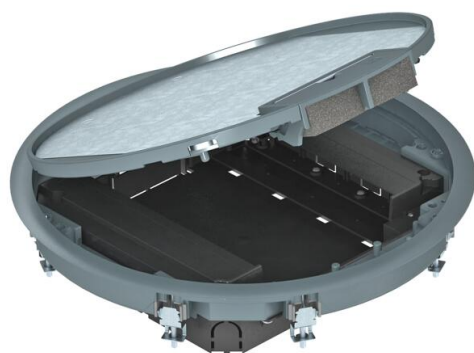
Service outlet, round, for screed height 55 mm

Item number: 7405047



GESR9 service outlet with a fixed construction height of 55 mm for indoor use. With two fitted plug housings for vertical mounting of Modul 45 devices and four strain reliefs. Two installation frames are required to mount Modul 45 devices.

The data modules are mounted using an optional mounting plate MPMT45. The service outlet is equipped with universal fastening brackets.



PA Polyamide

Master data

Item number	7405047
Type	GESR9 55U V 7011
Description 1	Service outlet
Description 2	for duct mounting
Manufacturer	OBO
Dimension	Ø325x61
Colour	Iron grey; RAL 7011
Material	Polyamide
Smallest sales unit	1
Unit of quantity	Piece
Weight	255 kg
Weight unit	kg/100 pc.

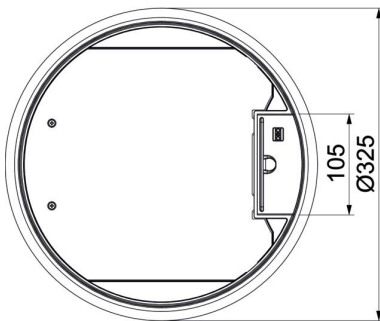
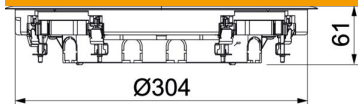
Technical data sheet

Service outlet, round, for screed height 55 mm

Item number: 7405047



Dimensions



Length	325 mm
Width	325 mm
Height	61 mm

Technical data

Number of installable devices	8
Version for	Round
Cable outlet version	Swivellable cord outlet
Floor covering protection frame	yes
Floor care	Dry
Seal installation option	no
Screed height, min.	55 mm
Floor height, min.	58 mm
Suitable for raised floor installation	yes
Suitable for screed-flush closed underfloor ducts	yes
Suitable for screed-covered underfloor ducts	yes
Suitable for cavity floor installation	yes
Suitable for wet care	no
Suitable for underfloor ducts	yes
Device support to accept mounting boxes	no
With floor covering recess	no
Nominal size for device installation units	R9
Heavy-duty version	no
Vertical load, large area	to 5,000 N
Vertical load, small area	to 3,000 N
Opening mechanism	Handle
Floor covering thickness	5 mm