

Technical data sheet

Flat angle cover, smooth

Item number: 6274490



PVC flat angle cover, smooth surface.



PVC Polyvinylchloride

Master data

| | |
|---------------------|----------------------|
| Item number | 6274490 |
| Type | GK-OTGFRW |
| Description 1 | Cover |
| Description 2 | flat angle, smooth |
| Manufacturer | OBO |
| Colour | Pure white; RAL 9010 |
| Material | Polyvinylchloride |
| Smallest sales unit | 1 |
| Unit of quantity | Piece |
| Weight | 17 kg |
| Weight unit | kg/100 pc. |

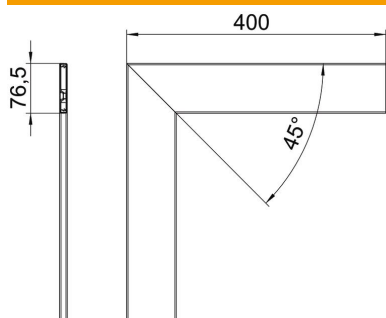
Technical data sheet

Flat angle cover, smooth

Item number: 6274490



Dimensions



| | |
|--------|---------|
| Length | 400 mm |
| Width | 76.5 mm |
| Height | 12 mm |

Technical data

| | |
|-----------------------------------|----------|
| Version for | Smooth |
| Halogen-free | no |
| Cover mounting type | Internal |
| Protection rating | IP30 |
| Protective film | yes |
| Protection rating IK code | IK08 |
| Permitted temperature range, max. | 60 °C |
| Permitted temperature range, min. | -15 °C |