

Technical data sheet

Clamping piece FS

Item number: 6015263



Clamp for fastening mesh cable trays.
Use on mesh cable trays with 50 x 100 mm grid only.

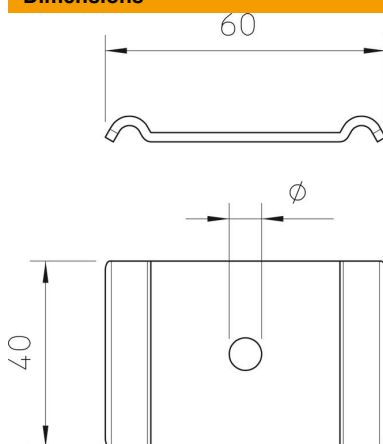


- St** Steel
- FS** Strip galvanized

Master data

Item number	6015263
Description 1	Hold-down clamp
Description 2	for screw M6
Manufacturer	OBO
Dimension	60x40
Material	Steel
Surface	Strip galvanized
Surface standard	DIN EN 10346
Smallest sales unit	50
Unit of quantity	Piece
Weight	3.522 kg
Weight unit	kg/100 pc.

Dimensions



Dimension	60 x 40
-----------	---------

Technical data sheet

Clamping piece FS

Item number: 6015263



Technical data

Suitable for mesh cable tray	yes
Suitable for cable ladder	no
Suitable for cable tray	no
Hole diameter	7 mm
Rustproof steel, pickled	no
Connection type	Miscellaneous