

# Technical data sheet

Edge protection ring KSR 30030, for LKM cable trunking  
LKM 30030

Item number: 6249845



Edge protection ring for the open ends of LKM cable trunking.



**PVC** Polyvinylchloride

## Master data

Item number	6249845
Description 1	Edge protection ring
Description 2	for LKM trunking
Manufacturer	OBO
Dimension	30x30mm
Colour	Grey
Material	Polyvinylchloride
Smallest sales unit	5
Unit of quantity	Piece
Weight	1.3 kg
Weight unit	kg/100 pc.

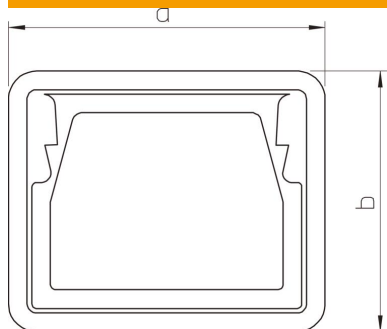
# Technical data sheet

Edge protection ring KSR 30030, for LKM cable trunking  
LKM 30030

Item number: 6249845



## Dimensions



Length	21 mm
Width	34 mm
Height	34 mm
Dimension a	34 mm
Dimension b	34 mm

## Technical data

Type	Injection-moulded part
Suitable for	Cable routing duct
Halogen-free	yes