

Technical data sheet

Cable ladder LG 60, 6 m VS FS

Item number: 6208639



Cable ladder with perforated side rail of side height 60 mm with riveted C profile frames, open in an upwards direction (VS version).
The cable ladder is shipped folded up.

Cables can be mounted with the matching clamp clip, type 2056.

The cable ladders in the widths 200 mm to 400 mm are also approved for vertical mounting as a vertical ladder in systems that guarantee the maintenance of electrical functionality according to DIN 4102 Part 12. Cables can be mounted with the clamp clip approved for maintenance of electrical function, type 2056 M. Magnetic shield insulation without cover 10 dB, with cover 15 dB.



St Steel

FS Strip galvanized

Master data

| | |
|---------------------|--------------------------|
| Item number | 6208639 |
| Type | LG 660 VS 6 FS |
| Description 1 | Cable ladder |
| Description 2 | perforated, with VS rung |
| Manufacturer | OBO |
| Dimension | 60x600x6000 |
| Material | Steel |
| Surface | Strip galvanized |
| Surface standard | DIN EN 10346 |
| Smallest sales unit | 6 |
| Unit of quantity | Metre |
| Weight | 354.066 kg |
| Weight unit | kg/100 m |

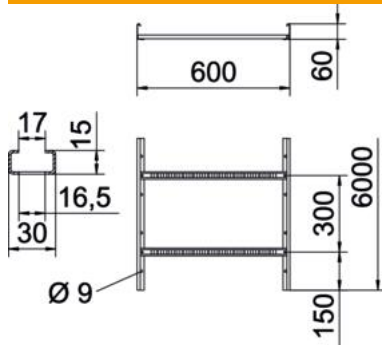
Technical data sheet

Cable ladder LG 60, 6 m VS FS

Item number: 6208639



Dimensions



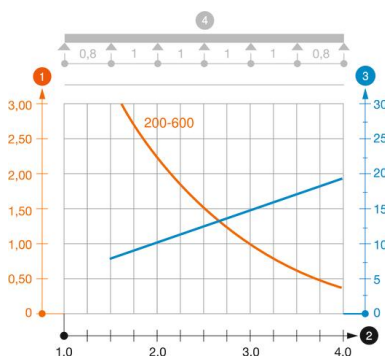
| | |
|---------------------|-------------|
| Dimension | 60x600x6000 |
| Length | 6,000 mm |
| Length | 6,000 ft |
| Width | 600 mm |
| Height | 60 mm |
| Dimension B | 600 mm |
| Rung slot dimension | 16.50 |

Technical data

| | |
|-------------------------------|-----------------------|
| Version of the rungs | Profile perforated |
| Side rail version | Flat profile |
| Fastening of rung | Blind riveted |
| Maintain electrical functions | no |
| Usable cross-section | 298 cm ² |
| Usable cross-section | 29800 mm ² |
| Rustproof steel, pickled | no |
| Side perforation | yes |
| Rung distance | 300 mm |
| Wide-span version | no |
| Rail thickness | 1.5 mm |

Loads

| | |
|-----------------------------------|-----------|
| Insertable support spacings, min. | 1.5 m |
| Insertable support spacings, max. | 4 m |
| Support spacing 1.5 m | 3.1 kN/m |
| Support spacing 2.0 m | 2.25 kN/m |
| Support spacing 2.5 m | 1.5 kN/m |
| Support spacing 3.0 m | 1.1 kN/m |
| Support spacing 3.5 m | 0.75 kN/m |
| Support spacing 4.0 m | 0.45 kN/m |



Load diagram, cable ladder, type LG 60 VS

- 1 Permitted cable tray/ladder load in kN/m without man load
- 2 Support width in m
- 3 Rail bend in mm at permitted kN/m
- 4 Load scheme during testing
- Load curve with cable tray/ladder width in mm
- Strut bend curve according to support width