

# Technical data sheet

## Hook-head screw ZL

Item number: 1148230



Hook-head screw for use with MS5030 profile rail



**St** Steel

**ZL** Zinc slat

### Master data

Item number	1148230
Type	MS50HB M12x60 ZL
Description 1	Hook-head screw
Description 2	for profile rail MS5030
Manufacturer	OBO
Dimension	M12x60mm
Material	Steel
Surface	Zinc slat
Surface standard	
Smallest sales unit	25
Unit of quantity	Piece
Weight	11.65 kg
Weight unit	kg/100 pc.

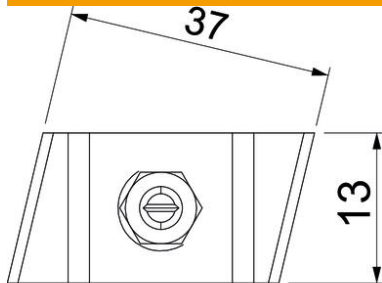
# Technical data sheet

## Hook-head screw ZL

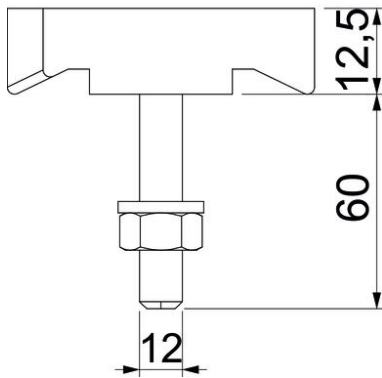
Item number: 1148230



### Dimensions



Length	43.3 mm
Width	13 mm
Height	10 mm



### Technical data

Suitable for mounting rail	yes
Thread	M12x60mm
Thread metric	12