

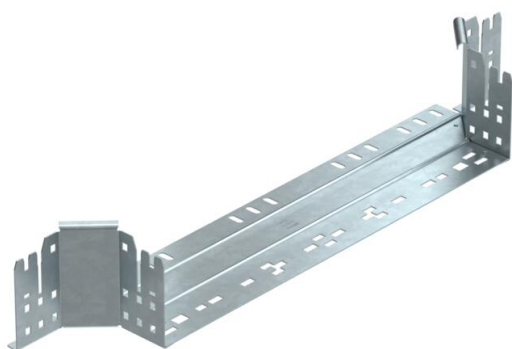
Technical data sheet

Magic add-on tee 110 FT

Item number: 6041948



Add-on tee with quick connector system. For all cable tray types of 110 mm side height.



St Steel

FT Hot-dip galvanised

Master data

Item number	6041948
Description 1	Add-on tee
Description 2	with quick connector
Manufacturer	OBO
Dimension	110x500
Material	Steel
Surface	Hot-dip galvanised
Surface standard	DIN EN ISO 1461
Smallest sales unit	1
Unit of quantity	Piece
Weight	112.7 kg
Weight unit	kg/100 pc.

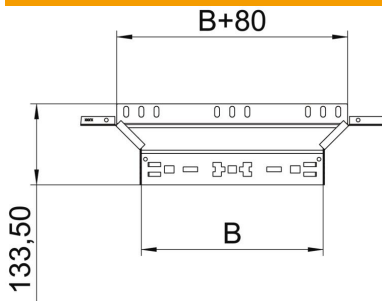
Technical data sheet

Magic add-on tee 110 FT

Item number: 6041948



Dimensions



Width	500 mm
Height	110 mm
Plate thickness	1.25 mm
Dimension B	500 mm

Technical data

Bend (angle)	90°
Connector version	Integrated connector
Maintain electrical functions	no
Material thickness, floor plate	1.25 mm
NATO hole pattern	no
Change of direction	Horizontal
Rustproof steel, pickled	no
Wide-span version	no
Type of connector, cable support system	Click fastening
Rail thickness	1.25 mm