

# Technical data sheet

## Cover, 90° bend DD

Item number: 6036954



Cover for 90° bend fitting for lockable and screw-on cable trays in indoor and outdoor areas, to protect cables against damage and soiling. Fastening with pre-mounted sash lock and through attachment of the section cover. Suitable for all side heights.  
The cover can be used with fittings of all side heights.



**St** Steel

**DD** Strip galvanised zinc/aluminium, Double Dip

### Master data

|                     |   |
|---------------------|---|
| Item number         | 6036954                                     |
| Type                | RBD 90 200 DD                               |
| Description 1       | Cover                                       |
| Description 2       | for 90° bend                                |
| Manufacturer        | OBO   |
| Dimension           | B200mm                                      |
| Material            | Steel                                       |
| Surface             | Strip galvanised zinc/aluminium, Double Dip |
| Surface standard    | DIN EN 10346                                |
| Smallest sales unit | 1   |
| Unit of quantity    | Piece                                       |
| Weight              | 35 kg                                       |
| Weight unit         | kg/100 pc.                                  |

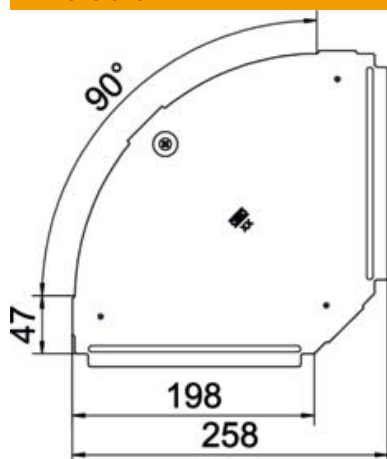
# Technical data sheet

Cover, 90° bend DD

Item number: 6036954



## Dimensions



|                 |         |
|-----------------|---------|
| Width           | 200 mm  |
| Plate thickness | 0.75 mm |

## Technical data

|                                   |            |
|-----------------------------------|------------|
| Bend (angle)                      | 90°        |
| Number of turn buckles            | 1 St.      |
| Fastening type                    | Sash lock  |
| Maintain electrical functions     | no         |
| Suitable for mesh cable tray      | no         |
| Suitable for cable ladder         | no         |
| Suitable for cable tray           | yes        |
| Change of direction               | Horizontal |
| Rustproof steel, pickled          | no         |
| Hinged                            | no         |
| Permitted temperature range, max. | 120 °C     |
| Permitted temperature range, min. | -20 °C     |