

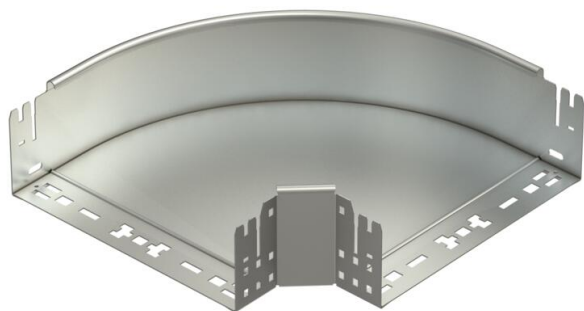
# Technical data sheet

90° Magic bend 110 A2

Item number: 6041884



90° bend with quick connector system. For all cable tray types of 110 mm side height.



**A2** Stainless steel

**2B** Bright, treated

## Master data

|                     |                      |
|---------------------|----------------------|
| Item number         | 6041884              |
| Description 1       | 90° bend             |
| Description 2       | with quick connector |
| Manufacturer        | OBO                  |
| Dimension           | 110x300              |
| Material            | Stainless steel      |
| Surface             | Bright, treated      |
| Surface standard    |                      |
| Smallest sales unit | 1                    |
| Unit of quantity    | Piece                |
| Weight              | 233.4 kg             |
| Weight unit         | kg/100 pc.           |

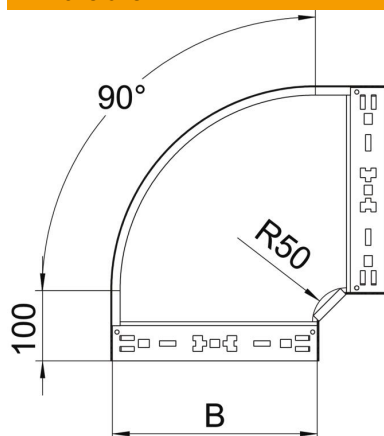
# Technical data sheet

## 90° Magic bend 110 A2

Item number: 6041884



### Dimensions



|                 |         |
|-----------------|---------|
| Width           | 300 mm  |
| Height          | 110 mm  |
| Plate thickness | 1.25 mm |
| Dimension B     | 300 mm  |

### Technical data

|   |                      |
|---|----------------------|
| Bend (angle)                            | 90°                  |
| Connector version                       | Integrated connector |
| Maintain electrical functions           | no                   |
| Mounting perforation in base            | no                   |
| NATO hole pattern                       | no                   |
| Change of direction                     | Horizontal           |
| Rustproof steel, pickled                | no                   |
| Side perforation                        | no                   |
| Wide-span version                       | no                   |
| Type of connector, cable support system | Click fastening      |