

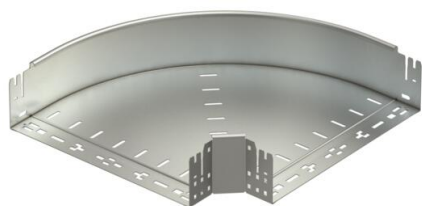
# Technical data sheet

90° Magic bend 110 A2

Item number: 6041886



90° bend with quick connector system. For all cable tray types of 110 mm side height.



**A2** Stainless steel

**2B** Bright, treated

## Master data

Item number	6041886
Description 1	90° bend
Description 2	with quick connector
Manufacturer	OBO
Dimension	110x400
Material	Stainless steel
Surface	Bright, treated
Surface standard	
Smallest sales unit	1
Unit of quantity	Piece
Weight	323.6 kg
Weight unit	kg/100 pc.

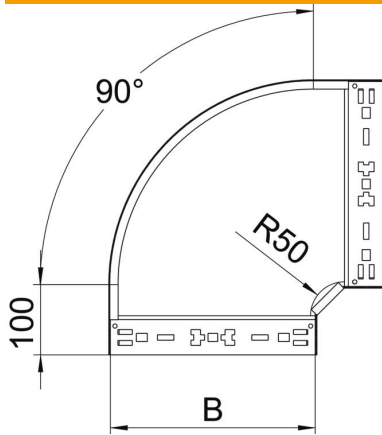
# Technical data sheet

## 90° Magic bend 110 A2

Item number: 6041886



### Dimensions



Width	400 mm
Height	110 mm
Plate thickness	1.25 mm
Dimension B	400 mm

### Technical data

Bend (angle)	90°
Connector version	Integrated connector
Maintain electrical functions	no
Mounting perforation in base	no
NATO hole pattern	no
Change of direction	Horizontal
Rustproof steel, pickled	no
Side perforation	no
Wide-span version	no
Type of connector, cable support system	Click fastening