

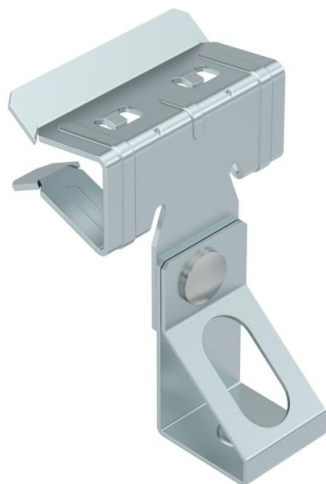
Technical data sheet

Support clamp, with threaded rod seat

Item number: 1488323



Support clamp with threaded rod seat for individual mounting solutions. Fastening through knocking onto steel girders.



CE

- St** Steel
- ZL** Zinc slat

Master data

Item number	1488323
Type	SCTR 10-15 M6
Description 1	Beam clamp
Description 2	for threaded rod M6
Manufacturer	OBO
Dimension	10-15mm
Material	Steel
Surface	Zinc slat
Surface standard	
Smallest sales unit	50
Unit of quantity	Piece
Weight	3.3 kg
Weight unit	kg/100 pc.

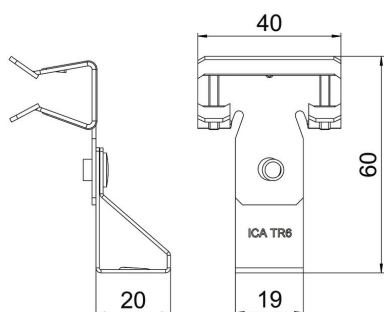
Technical data sheet

Support clamp, with threaded rod seat

Item number: 1488323



Dimensions



Length	60 mm
Width	40 mm
Height	44 mm
Dimension L	60 mm

Technical data

Connection type/component	Thread
Fastening type	Clamp
Flange thickness F max.	15 mm
Flange thickness F min.	10 mm
Thread metric	6
Hinge, adjustable	no
Hinged	no