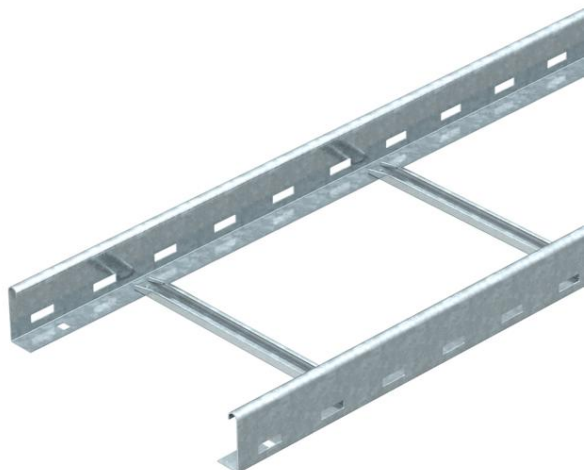


Technical data sheet

Medium-duty vertical cable ladder SLG 60, 6 m NS

Item number: 6207999



Cable ladder with 60 mm side height with riveted C profile rungs which are open in an upwards direction. Rolled side rail for reinforcement and as edge protection. Fastening to the bracket takes place using clamp, type LKS 40. The slot dimension of the frame is 11 mm and the appropriate U clamp is type 2056/N. Magnetic shield insulation without cover 10 dB, with cover 15 dB.



St Steel

FT Hot-dip galvanised

Master data

| | |
|---------------------|----------------------------|
| Item number | 6207999 |
| Description 1 | Cable ladder |
| Description 2 | heavy, perforated, NS rung |
| Manufacturer | OBO |
| Dimension | 60x600x6000 |
| Material | Steel |
| Surface | Hot-dip galvanised |
| Surface standard | DIN EN ISO 1461 |
| Smallest sales unit | 6 |
| Unit of quantity | Metre |
| Weight | 410.7 kg |
| Weight unit | kg/100 m |

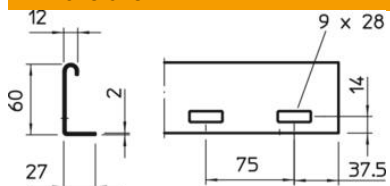
Technical data sheet

Medium-duty vertical cable ladder SLG 60, 6 m NS

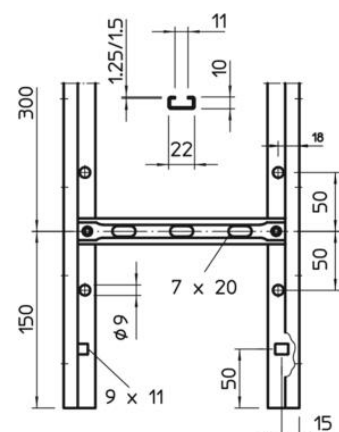
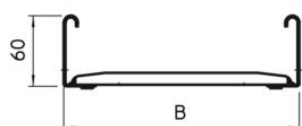
Item number: 6207999



Dimensions



| | |
|-----------|-------------|
| Dimension | 60x600x6000 |
| Length | 6,000 mm |
| Length | 6,000 ft |
| Width | 600 mm |
| Height | 60 mm |



Technical data

| | |
|-------------------------------|-----------------------|
| Version of the rungs | Profile perforated |
| Side rail version | Flat profile |
| Fastening of rung | Blind riveted |
| Maintain electrical functions | no |
| Usable cross-section | 298 cm ² |
| Usable cross-section | 29800 mm ² |
| Rustproof steel, pickled | no |
| Side perforation | yes |
| Rung distance | 300 mm |
| Wide-span version | no |
| Rail thickness | 2 mm |

Technical data sheet

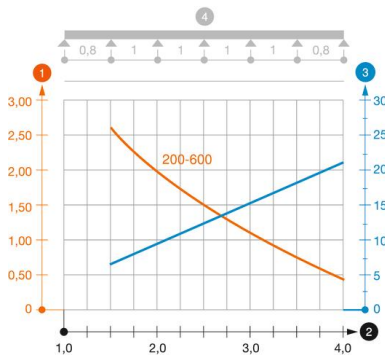
Medium-duty vertical cable ladder SLG 60, 6 m NS

Item number: 6207999



Loads

| | |
|-----------------------------------|-----------|
| Insertable support spacings, min. | 1.5 m |
| Insertable support spacings, max. | 4 m |
| Support spacing 1.5 m | 3.1 kN/m |
| Support spacing 2.0 m | 2 kN/m |
| Support spacing 2.5 m | 1.5 kN/m |
| Support spacing 3.0 m | 1.1 kN/m |
| Support spacing 3.5 m | 0.6 kN/m |
| Support spacing 4.0 m | 0.45 kN/m |



Load diagram, cable ladder, type SLG 60 NS

- 1 Permitted cable tray/ladder load in kN/m without man load
- 2 Support width in m
- 3 Rail bend in mm at permitted kN/m
- 4 Load scheme during testing
- Load curve with cable tray/ladder width in mm
- Strut bend curve according to support width