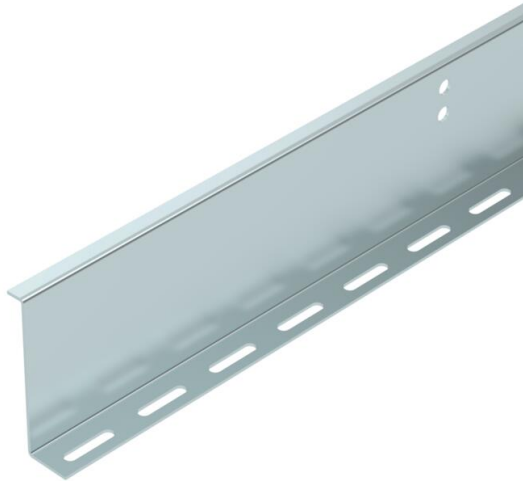


Technical data sheet

Barrier strip, Z-shaped 100 FS

Item number: 6062390



Barrier strip for the BKRS walkable cable tray system. Fastening with truss-head bolts M6 x 12 in the base perforation.
For widths of 200 mm or more, a barrier strip with a maximum compartment size of 220 mm should be used.
For widths of 500 mm or more, two barrier strips with a maximum compartment size of 220 mm should be used.



St Steel

FS Strip galvanized

Master data

Item number	6062390
Description 1	Barrier strip
Description 2	Z type, for BKS
Manufacturer	OBO
Dimension	100x2x3000
Material	Steel
Surface	Strip galvanized
Surface standard	DIN EN 10346
Smallest sales unit	3
Unit of quantity	Metre
Weight	187.667 kg
Weight unit	kg/100 m

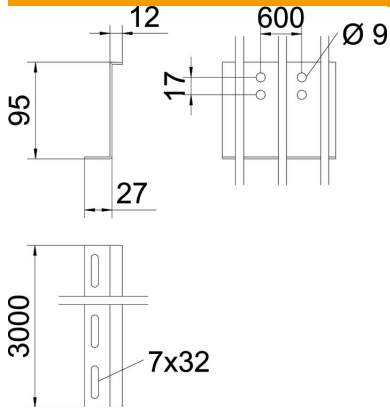
Technical data sheet

Barrier strip, Z-shaped 100 FS

Item number: 6062390



Dimensions



Length	3,000 mm
Length	10 ft
Width	34 mm
Height	95 mm
Height	4 in
Plate thickness	2 mm
Dimension H	100 mm
Dimension L	3,000 mm

Technical data

Version for	Miscellaneous
Fastening perforation (ETIM)	yes
Maintain electrical functions	no
Suitable for mesh cable tray	no
Suitable for cable ladder	no
Suitable for cable tray	yes
Rustproof steel, pickled	no