

Technical data sheet

Separating retainer 85 FS

Item number: 6062114



Separating retainer for separation of cables of different voltages or functions.



St Steel

FS Strip galvanized

Master data

Item number	6062114
Type	TSG 85 FS
Description 1	Barrier strip
Description 2	for cable support systems
Manufacturer	OBO
Dimension	85x2995
Material	Steel
Surface	Strip galvanized
Surface standard	DIN EN 10346
Smallest sales unit	3
Unit of quantity	Metre
Weight	70.233 kg
Weight unit	kg/100 m

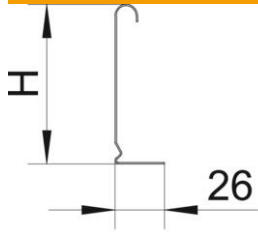
Technical data sheet

Separating retainer 85 FS

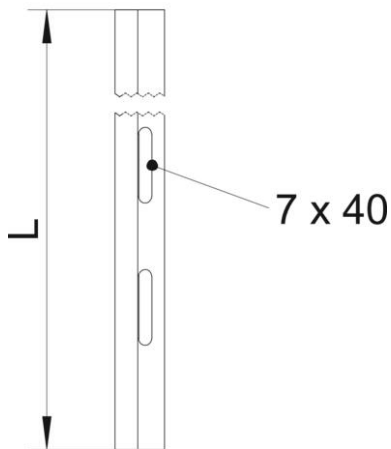
Item number: 6062114



Dimensions



Length	10 ft
Height	85 mm
Height	3 in
Plate thickness	0.75 mm
Dimension H (Inch)	3 in
Dimension H	85 mm
Dimension L	10 ft
Dimension L	3,000 mm



Technical data

Version for	L profile
Fastening type	Screw-on
Fastening perforation (ETIM)	no
Maintain electrical functions	no
Suitable for mesh cable tray	yes
Suitable for cable ladder	yes
Suitable for cable tray	yes
Rustproof steel, pickled	no