

# Technical data sheet

## US 5 support FT

Item number: 6341594



U support of dimensions 50 x 50 mm with welded head plate. For fastening to horizontal concrete ceilings and steel girders. For bracket widths of 400 mm or more, or if the bracket is mounted at the end of a suspended support, we recommend the use of the spacer, type DSK 45.



**St** Steel

**FT** Hot-dip galvanised

### Master data

|                     |                        |
|---------------------|------------------------|
| Item number         | 6341594                |
| Type                | US 5 K 80 FT           |
| Description 1       | Support                |
| Description 2       | with welded head plate |
| Manufacturer        | OBO                    |
| Dimension           | 50x50x800              |
| Material            | Steel                  |
| Surface             | Hot-dip galvanised     |
| Surface standard    | DIN EN ISO 1461        |
| Smallest sales unit | 1                      |
| Unit of quantity    | Piece                  |
| Weight              | 236 kg                 |
| Weight unit         | kg/100 pc.             |

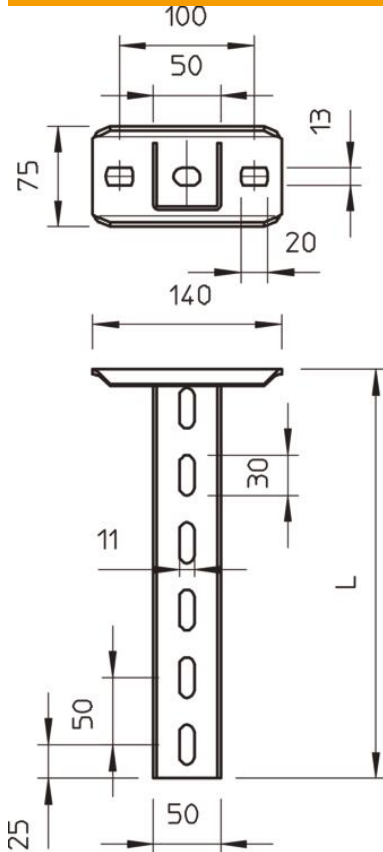
# Technical data sheet

## US 5 support FT

Item number: 6341594



### Dimensions

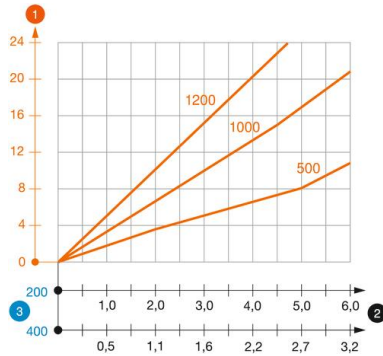


|             |        |
|-------------|--------|
| Length      | 800 mm |
| Width       | 50 mm  |
| Height      | 50 mm  |
| Dimension L | 800 mm |

### Technical data

|                               |           |
|-------------------------------|-----------|
| Version for                   | U profile |
| Bracket length 200            | 5.75 kN   |
| Bracket length 400            | 3.1 kN    |
| Bracket length 600            | 2.2 kN    |
| Maintain electrical functions | yes       |
| Material thickness            | 2.5 mm    |
| Maximum tensile load          | 10 kN     |
| With tothing                  | no        |

### Loads



#### Load diagram, U support, type US 5 K

- 1** Bending of the end of the suspended support at permitted bracket load
- 2** Permitted bracket load in kN without man load
- 3** Bracket length in mm
- Load curves with support lengths in mm

### Characteristic anchor load values for US 5 K support

| Anchor type     | Max. load [kN]     |      |      |      |
|-----------------|--------------------|------|------|------|
|                 | Bracket width [mm] |      |      |      |
|                 | 110%               | 210  | 310  | 410  |
| BZ3 10x90/0-30  | 4.31               | 3.18 | 2.51 | 2.06 |
| BZ3 12x110/0-35 | 5.82               | 4.29 | 3.39 | 2.77 |

Max. total load  $F = \text{cable weight} + \text{cable tray} + \text{bracket} + \text{suspended support}$ . The tabular values for double-sided loads take the available axis spacing  $a_i = 10 \text{ cm}$  into account. The stated values are based on uncracked concrete of compressive strength C20/25. Please comply with the installation conditions of ETA(anchors).