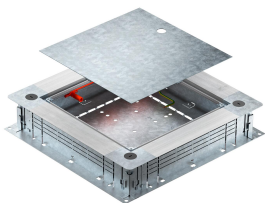


# Technical data sheet

## UZD250-4 junction and branch box

Item number: 7410022



Junction and branch box for screed-covered underfloor installation duct with sheet steel side walls. For mounting of installation units in the mounting cover (to be ordered separately). Can be infinitely adjusted to a nominal screed height of 80–160 mm using the quick height-adjustment unit. The screed can be worked up to be flush with the screed draw-off edge. With noise decoupling option after screed laying and can also be used with system accessories for heavy-duty applications. Insertion of cables with the 2-part EÜK duct.



**St** Steel

**FS** Strip galvanized

### Master data

Item number	7410022
Type	UZD250-4
Description 1	Junction and branch box
Description 2	for screed height 80-160 mm
Manufacturer	OBO
Dimension	400x380x80
Material	Steel
Surface	Strip galvanized
Surface standard	DIN EN 10346
Smallest sales unit	1
Unit of quantity	Piece
Weight	466 kg
Weight unit	kg/100 pc.

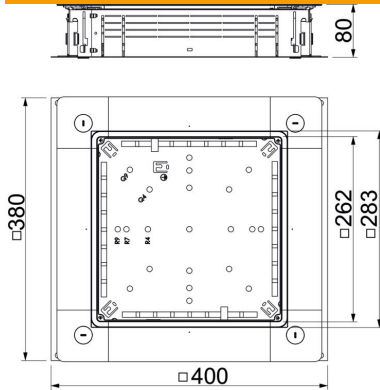
# Technical data sheet

## UZD250-4 junction and branch box

Item number: 7410022



### Dimensions



Dimension a	262 mm
Dimension A	380 mm
Dimension B	400 mm
Dimension b	283 mm

### Technical data

Number of installable devices	1
Floor plate	yes
Cover version	Universal
Seal installation option	yes
Installation opening for on-floor tank	no
Installation opening for flush-mount unit	Square
Decouplable	yes
Screed height, max.	160 mm
Screed height, min.	80 mm
For pipe connection	no
Suitable for screed-flush closed underfloor ducts	no
Suitable for screed-covered underfloor ducts	yes
Suitable for underfloor ducts	yes
Trunking width, max.	250 mm
Trunking width, min.	190 mm
Trunking height, max.	58 mm
Duct height, min.	28 mm
Minimum screed height	80
Nominal size	250 mm
Height-adjustment range, max.	160 mm
Height-adjustment range, min.	80 mm
Protection rating (IP) when used	IP20