

# Technical data sheet

Cable gland, PG thread, silver grey

Item number: 2022656



Cable gland with PG connection thread in cap nut design, suitable for junction boxes, housings, distributor boxes in private and industrial areas. With strain relief and integrated sealing lip, tested according to DIN EN 62444. Protection class IP68. Can be used between  $-20^{\circ}\text{C}$  and  $+65^{\circ}\text{C}$ .



**PA** Polyamide

## Master data

|                     |                       |
|---------------------|-----------------------|
| Item number         | 2022656               |
| Type                | V-TEC PG16 SGR        |
| Description 1       | Cable gland           |
| Manufacturer        | OBO                   |
| Dimension           | PG16                  |
| Colour              | Silver grey; RAL 7001 |
| Material            | Polyamide             |
| Smallest sales unit | 25                    |
| Unit of quantity    | Piece                 |
| Weight              | 1.38 kg               |
| Weight unit         | kg/100 pc.            |

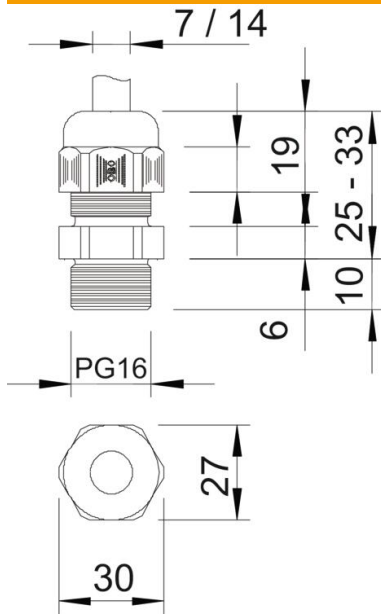
# Technical data sheet

Cable gland, PG thread, silver grey



Item number: 2022656

## Dimensions



|                  |       |
|------------------|-------|
| Dimension E      | 30 mm |
| Dimension L max. | 33 mm |
| Dimension L min. | 25 mm |
| Dimension L1     | 10 mm |
| Dimension L2     | 6 mm  |
| Dimension L3     | 19 mm |

## Technical data

|                                   |              |
|-----------------------------------|--------------|
| Type of seal                      | Sealing ring |
| Version for                       | Straight     |
| Bend protection                   | no           |
| Sealing area D, max.              | 14 mm        |
| Sealing area D, min.              | 7 mm         |
| explosion-proof                   | no           |
| Flat cable gland                  | no           |
| For Ex zone                       | Without      |
| For Ex zone gas                   | Without      |
| For Ex zone dust                  | Without      |
| Thread                            | Pg 16        |
| Thread type                       | PG           |
| Thread length                     | 10 mm        |
| Nominal thread size               | 16           |
| Thread increase                   | 1.41 mm      |
| Fibre-glass reinforced            | no           |
| Halogen-free                      | yes          |
| Unstable torque                   | 3.67 Nm      |
| Sealing insert, multiple          | no           |
| With locknut                      | no           |
| Impact-resistant                  | no           |
| WAF                               | 27           |
| Protection rating                 | IP68         |
| Hexagonal corner dimension        | 30 mm        |
| Splittable gland                  | no           |
| Permitted temperature range, max. | 65 °C        |

# Technical data sheet

Cable gland, PG thread, silver grey

Item number: 2022656



## Technical data

|  |        |
|--|--------|
| Permitted temperature range, min.              | -20 °C |
| Strain relief and wringing protection D2, max. | 14 mm  |
| Strain relief and wringing protection D2, min. | 7 mm   |
| Strain relief option                           | yes    |