

# Technical data sheet

## Cable gland, PG thread, set with locknut, light grey

Item number: 2024655



Cable gland with PG connection thread in cap nut design, suitable for junction boxes, housings, distributor boxes in private and industrial areas. With strain relief and integrated sealing lip, tested according to DIN EN 62444. Protection class IP68. Can be used between  $-20^{\circ}\text{C}$  and  $+65^{\circ}\text{C}$ . Including locknut.  
Table column D1: sealing range to VDE 0619, in which no strain relief is required.  
Table column D2: Sealing range including strain relief and twist protection to VDE 0619



PA Polyamide

### Master data

Item number	2024655
Type	V-TEC PG7+ LGR
Description 1	Cable gland
Description 2	with locknut
Manufacturer	OBO
Dimension	PG7
Colour	Light grey; RAL 7035
Material	Polyamide
Smallest sales unit	50
Unit of quantity	Piece
Weight	0.503 kg
Weight unit	kg/100 pc.

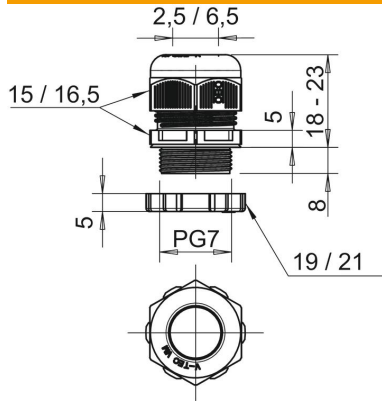
# Technical data sheet

Cable gland, PG thread, set with locknut, light grey



Item number: 2024655

## Dimensions



Dimension E1 (mm)	16.5 mm
Dimension E2	21 mm
Dimension L max.	23 mm
Dimension L min.	18 mm
Dimension L1	8 mm
Dimension L2	5 mm
Dimension L3	5 mm

## Technical data

Type of seal	Sealing ring
Version for	Straight
Bend protection	no
Sealing area D, max.	6.5 mm
Sealing area D, min.	2.5 mm
explosion-proof	no
Flat cable gland	no
For Ex zone	Without
For Ex zone gas	Without
For Ex zone dust	Without
Thread	Pg 7
Thread type	PG
Thread length	8 mm
Nominal thread size	7
Thread increase	1.5 mm
Fibre-glass reinforced	no
Halogen-free	yes
Sealing insert, multiple	no
With locknut	yes
Impact-resistant	no
WAF 1	15 mm
WAF 2	19 mm
Protection rating	IP68
Hexagonal corner dimension	16.5 mm
Splittable gland	no
Permitted temperature range, max.	65 °C
Permitted temperature range, min.	-20 °C
Strain relief and wringing protection D2, max.	6.5 mm
Strain relief and wringing protection D2, min.	3 mm
Strain relief option	yes