

# Technical data sheet

## Cable gland, metric thread, set with locknut, light grey



Item number: 2022762



Cable gland with metric connection thread in cap nut design, suitable for junction boxes, housings, distributor cabinets in private and industrial areas. With strain relief and integrated sealing lip, tested according to DIN EN 62444. Protection class IP68. Can be used between  $-20^{\circ}\text{C}$  and  $+65^{\circ}\text{C}$ . Including locknut.



PA Polyamide

### Master data

|                     |                      |
|---------------------|----------------------|
| Item number         | 2022762              |
| Type                | V-TEC VM12+ LGR      |
| Description 1       | Cable gland          |
| Description 2       | with locknut         |
| Manufacturer        | OBO                  |
| Dimension           | M12                  |
| Colour              | Light grey; RAL 7035 |
| Material            | Polyamide            |
| Smallest sales unit | 50                   |
| Unit of quantity    | Piece                |
| Weight              | 0.337 kg             |
| Weight unit         | kg/100 pc.           |

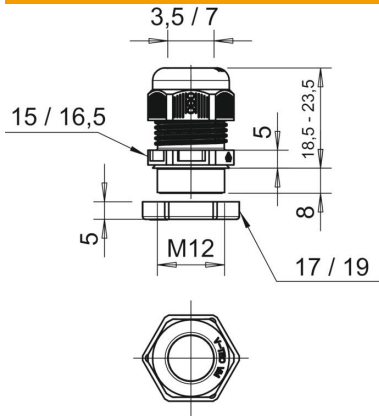
# Technical data sheet

## Cable gland, metric thread, set with locknut, light grey



Item number: 2022762

### Dimensions



|                   |         |
|-------------------|---------|
| Dimension E1 (mm) | 16.5 mm |
| Dimension E2      | 19 mm   |
| Dimension L max.  | 23.5 mm |
| Dimension L min.  | 18.5 mm |
| Dimension L1      | 8 mm    |
| Dimension L2      | 5 mm    |
| Dimension L3      | 5 mm    |

### Technical data

|                                   |   |
|-----------------------------------|---|
| Type of seal                      | Sealing ring  |
| Version for                       | Straight  |
| Bend protection                   | no  |
| Sealing area D, max.              | 7 mm  |
| Sealing area D, min.              | 3.5 mm  |
| explosion-proof                   | no  |
| Flat cable gland                  | no  |
| Flame-resistant                   | acc. to VDE 0471/DIN 695 Part 2-1, test temperature 650°C |
| For Ex zone                       | Without   |
| For Ex zone gas                   | Without   |
| For Ex zone dust                  | Without   |
| Thread                            | M12 x 1,5   |
| Thread type                       | Metric  |
| Thread length                     | 8 mm  |
| Nominal thread size               | 12  |
| Thread increase                   | 1.5 mm  |
| Fibre-glass reinforced            | no  |
| Halogen-free                      | yes   |
| Unstable torque                   | 2 Nm  |
| Sealing insert, multiple          | no  |
| With locknut                      | no  |
| Impact-resistant                  | no  |
| WAF 1                             | 15 mm   |
| WAF 2                             | 17 mm   |
| Protection rating                 | IP68  |
| Splittable gland                  | no  |
| Permitted temperature range, max. | 65 °C   |
| Permitted temperature range, min. | -20 °C  |
| Strain relief option              | yes   |