

V10 Compact 385 V

: 5093384



2+3

- VDE 0100-443 (IEC 60364-4-44)
- 60 kA (8/20us)
- 45 mm³+1TN TT

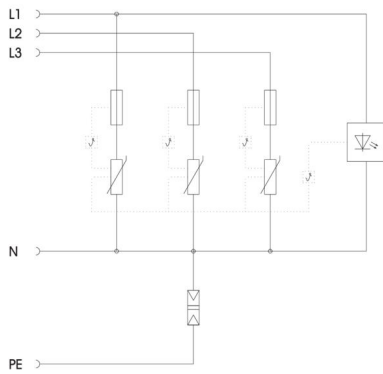
/



	5093384
	V10 COMPACT 385
1	V10 Compact
	OBO
	385V
	1
	16.8 kg
	kg/100

V10 Compact 385 V

: 5093384



(8/20 μ s) □	60 kA
	<25 ns
	3+NPE
	3+N/PE
(TE17.5mm)	80 °C
	-40 °C
[N-PE]	0.1 kA
leff	10
AC	385
	10 mm ²
/	10 mm ²
/	2.5 mm ²
LPZ	1→3
	63
	63 A
(8/20 μ s)	20 kA
	35mm
(8/20 μ s)	10 kA
AC (50 / 60 Hz)	230 V
TN	
TN-C-S	
TN-S	
TT	
2	
3	
	IP20
	≤1,5
SPD EN 61643-11	2+3
SPD IEC 61643-1	II+III
	AC