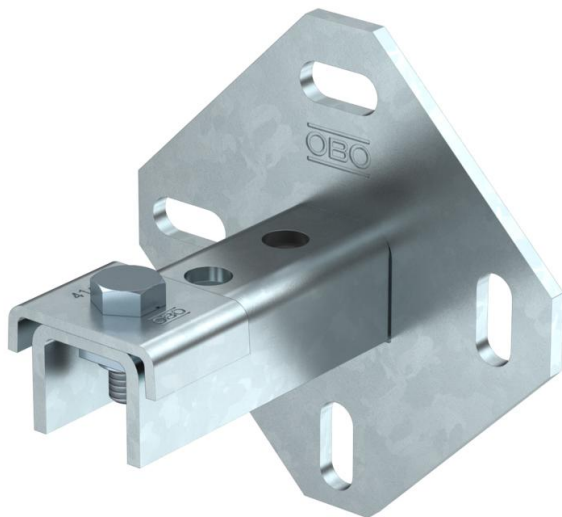


# Technical data sheet

## Wall, floor and ceiling bracket with 3 holes FT

Item number: 1123191



The wall, floor and ceiling bracket can ideally be used as a panel for wall, floor and ceiling mounting.  
Also suitable for stand and frame construction in conjunction with the mounting rails MS4141.



**St** Steel

**FT** Hot-dip galvanised

### Master data

Item number	1123191
Type	WBDHE 41 FT
Description 1	Wall holder
Description 2	combination MS 41
Manufacturer	OBO
Dimension	134x110x102
Material	Steel
Surface	Hot-dip galvanised
Surface standard	DIN EN ISO 1461
Smallest sales unit	10
Unit of quantity	Piece
Weight	73 kg
Weight unit	kg/100 pc.

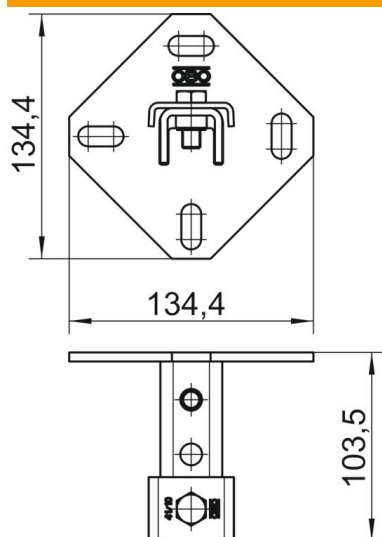
# Technical data sheet

## Wall, floor and ceiling bracket with 3 holes FT

Item number: 1123191



### Dimensions



Length	102 mm
Width	134 mm
Height	110 mm

### Technical data

Version for	Perforated
Hole size	25 x 11 mm
Material thickness	5 mm
Profile shape	C profile
Slot width	22 mm
Static value A	2.97 cm <sup>2</sup>
Static value Iy	6.05 cm
Static value Iz	9.01 cm
Static value Wy	2.91 cm <sup>2</sup>
Static value Wz	4.4 cm <sup>2</sup>