

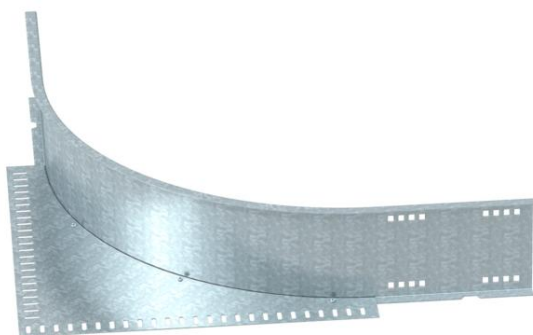
# Technical data sheet

## Corner extension piece 160 FS

Item number: 6098860



Corner extension piece for wide span cable trays and ladders with a side height of 160 mm.



**St** Steel

**FS** Strip galvanized

### Master data

Item number	6098860
Type	WEAS 160 FS
Description 1	Corner extension piece
Manufacturer	OBO
Dimension	160
Material	Steel
Surface	Strip galvanized
Surface standard	DIN EN 10346
Smallest sales unit	1
Unit of quantity	Piece
Weight	632 kg
Weight unit	kg/100 pc.

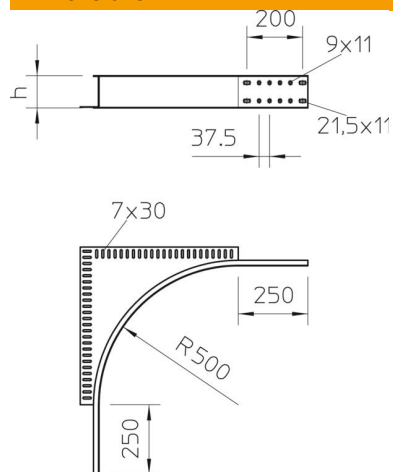
# Technical data sheet

## Corner extension piece 160 FS

Item number: 6098860



### Dimensions



Height	160 mm
Dimension h	160 mm

### Technical data

Connector version	Without connectors
Maintain electrical functions	no
Rustproof steel, pickled	no
Type of connector, cable support system	Screwed