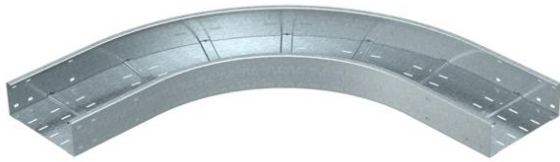


Technical data sheet

90° bend 110 FS

Item number: 6098304



90° bend, horizontal, for all wide span cable trays of 110 mm side height.
For further stabilisation, additional supports should be planned for the area of the fittings.



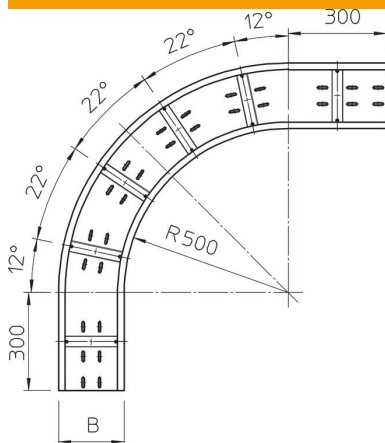
St Steel

FS Strip galvanized

Master data

Item number	6098304
Type	WRB 90 120 FS
Description 1	90° bend
Description 2	for wide span cable tray 110
Manufacturer	OBO
Dimension	110x200
Material	Steel
Surface	Strip galvanized
Surface standard	DIN EN 10346
Smallest sales unit	1
Unit of quantity	Piece
Weight	1145.5 kg
Weight unit	kg/100 pc.

Dimensions



Width	200 mm
Height	110 mm
Plate thickness	2 mm
Dimension B	200 mm

Technical data sheet

90° bend 110 FS

Item number: 6098304



Technical data

Bend (angle)	90°
Connector version	Without connectors
Mounting perforation in base	yes
Change of direction	Horizontal
Rustproof steel, pickled	no
Side perforation	no
Wide-span version	yes
Type of connector, cable support system	Screwed