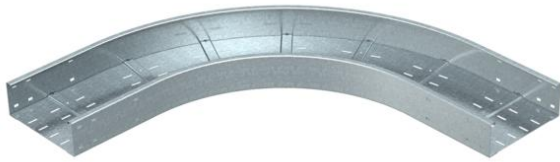


Technical data sheet

90° bend 110 FS

Item number: 6098320



90° bend, horizontal, for all wide span cable trays of 110 mm side height.
For further stabilisation, additional supports should be planned for the area of the fittings.

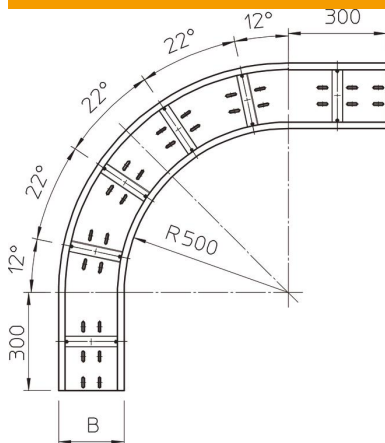


- St** Steel
- FS** Strip galvanized

Master data

Item number	6098320
Type	WRB 90 160 FS
Description 1	90° bend
Description 2	for wide span cable tray 110
Manufacturer	OBO
Dimension	110x600
Material	Steel
Surface	Strip galvanized
Surface standard	DIN EN 10346
Smallest sales unit	1
Unit of quantity	Piece
Weight	2234 kg
Weight unit	kg/100 pc.

Dimensions



Width	600 mm
Height	110 mm
Plate thickness	2 mm
Dimension B	600 mm

Technical data sheet

90° bend 110 FS

Item number: 6098320



Technical data

Bend (angle)	90°
Connector version	Without connectors
Mounting perforation in base	yes
Change of direction	Horizontal
Rustproof steel, pickled	no
Side perforation	no
Wide-span version	yes
Type of connector, cable support system	Screwed