

Technical data sheet

isCon® connection element

Item number: 5408021



- For the isCon® Basic and Professional cable
- Screw-on termination
- Including heat-shrinkable sleeve and hexagonal wrench
- Tested to up to 150 kA (lightning protection class II)



A2 Stainless steel

Master data

Item number	5408021
Type	isCon con 2
Description 1	Connection element
Description 2	for isCon Basic + Pro
Manufacturer	OBO
Dimension	Ø20mm
Material	Stainless steel
Smallest sales unit	2
Unit of quantity	Piece
Weight	21.5 kg
Weight unit	kg/100 pc.

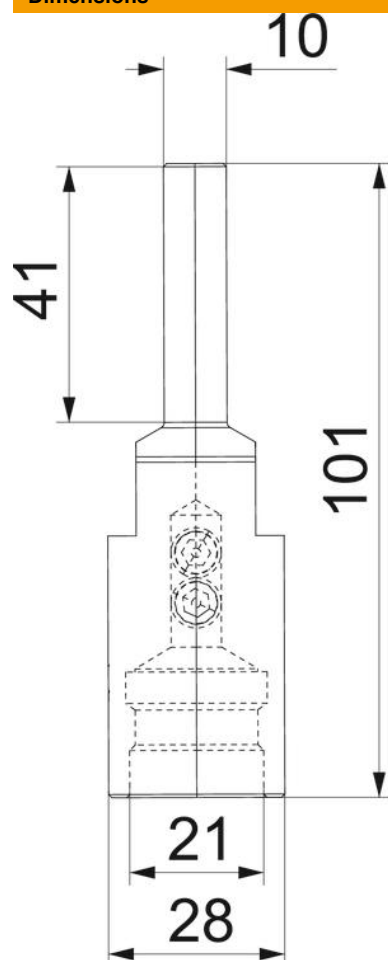
Technical data sheet

isCon® connection element



Item number: 5408021

Dimensions



Dimension d min. | 28 mm

Technical data

Lightning current carrying capacity	H1/150 kA
Fit	20 mm
Clamping range, max.	20 mm